

CXR-21A(WZS),CXR-28A(WZS)

Zigbee 3.0

Zigbee 3.0 Constant Current LED Driver

- Special for magnetic & linear lamp
- No input polarity
- DC to DC constant current output, multiple output current settings
- Tuya APP cloud control, support brightness adjust, delay turn on/off, timer run, scene edit, sleep wake-up and biorhythms function
- Philips HUE APP control by connect with Philips HUE bridge
- Voice control, support for Amazon Alexa, Google Assistant, Tmall Genie and Xiaodu smart speakers
- Can relay and route to each other, up to 15 hops
- Match with Zigbee 3.0 remote or scene panel control optional
- Suitable for STUCCHI standard housings, magnetic installation
- Smooth dimming without flicker, quiet without noise
- Short circuit, overload, no-load and anti-reverse protection
- 5-year warranty



Technical Parameters

Model		CXR-21A(WZS)	CXR-28A(WZS)
Output	Output Voltage	10~42Vdc	
	Output Current	150-500mA	350-700mA
	Output Power	1.5W- 21W	3.5W-29.4W
	Current Accuracy	± 5%	
	Dimming Range	0~100%	
	Channel num	1	
Input	Dimming Interface	Zigbee 3.0	
	Input Voltage	48Vdc ± 5% (No polarity)	
	Input Current	Max. 0.47A	Max. 0.65A
	Efficiency (Typ)	93%	95%
	Standby Power	<0.5W	
Environment	Working Temperature	-20~50°C	
	Storage Temperature	-40~80°C	
	Working Humidity	20~95%RH, non-condensing	
Protection	Overload	Hiccup,recovers automatically after fault condition is removed.	
	Short Circuit	Hiccup,recovers automatically after fault condition is removed.	
	Input Anti-Reverse Protection	No input polarity	
Other	Size	L92xW13.5xH12.2mm	
	Weight	10g±2g	

LED Current Selection

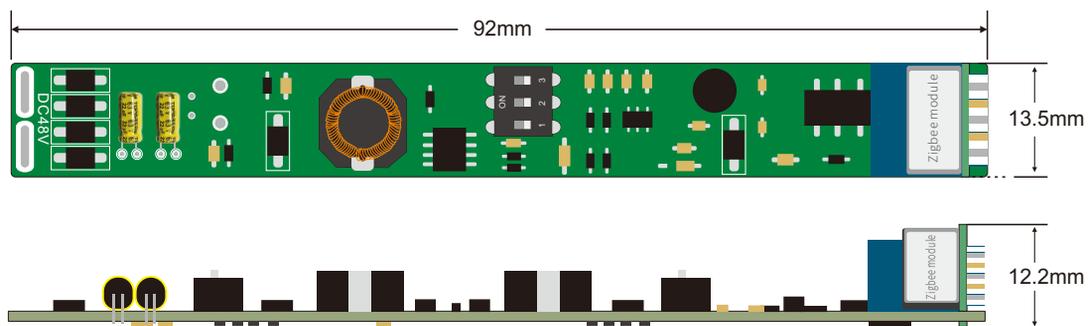
Note: Please select the correct current through the DIP switch on the PCB board when the power is off.



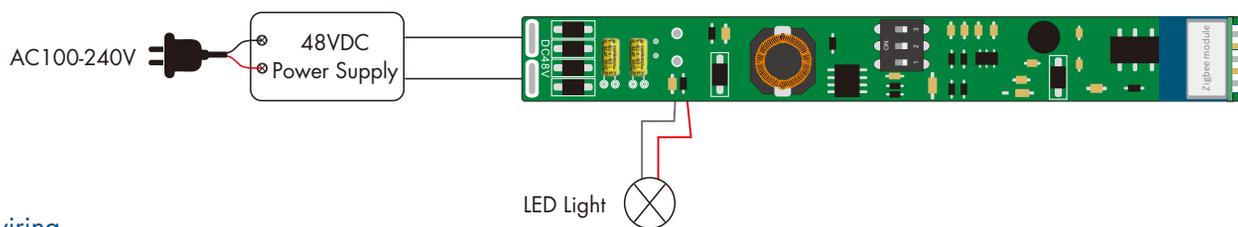
DIP Switch													
CXR-21A(WZS)	Output Current	150mA	200mA	250mA	300mA	350mA	400mA	450mA	500mA				
	Output Voltage	10-42V	10-42V	10-42V	10-42V	10-42V	10-42V	10-42V	10-42V	10-42V			
	Output Power	1.5-6.3W	2-8.4W	2.5-10.5W	3-12.6W	3.5-14.7W	4-16.8W	4.5-18.9W	5-21W				

DIP Switch													
CXR-28A(WZS)	Output Current	350mA	400mA	450mA	500mA	550mA	600mA	650mA	700mA				
	Output Voltage	10-42V	10-42V	10-42V	10-42V	10-42V	10-42V	10-42V	10-42V	10-42V			
	Output Power	3.5-14.7W	4-16.8W	4.5-18.9W	5-21W	5.5-23.1W	6-25.2W	6.5-27.3W	7-29.4W				

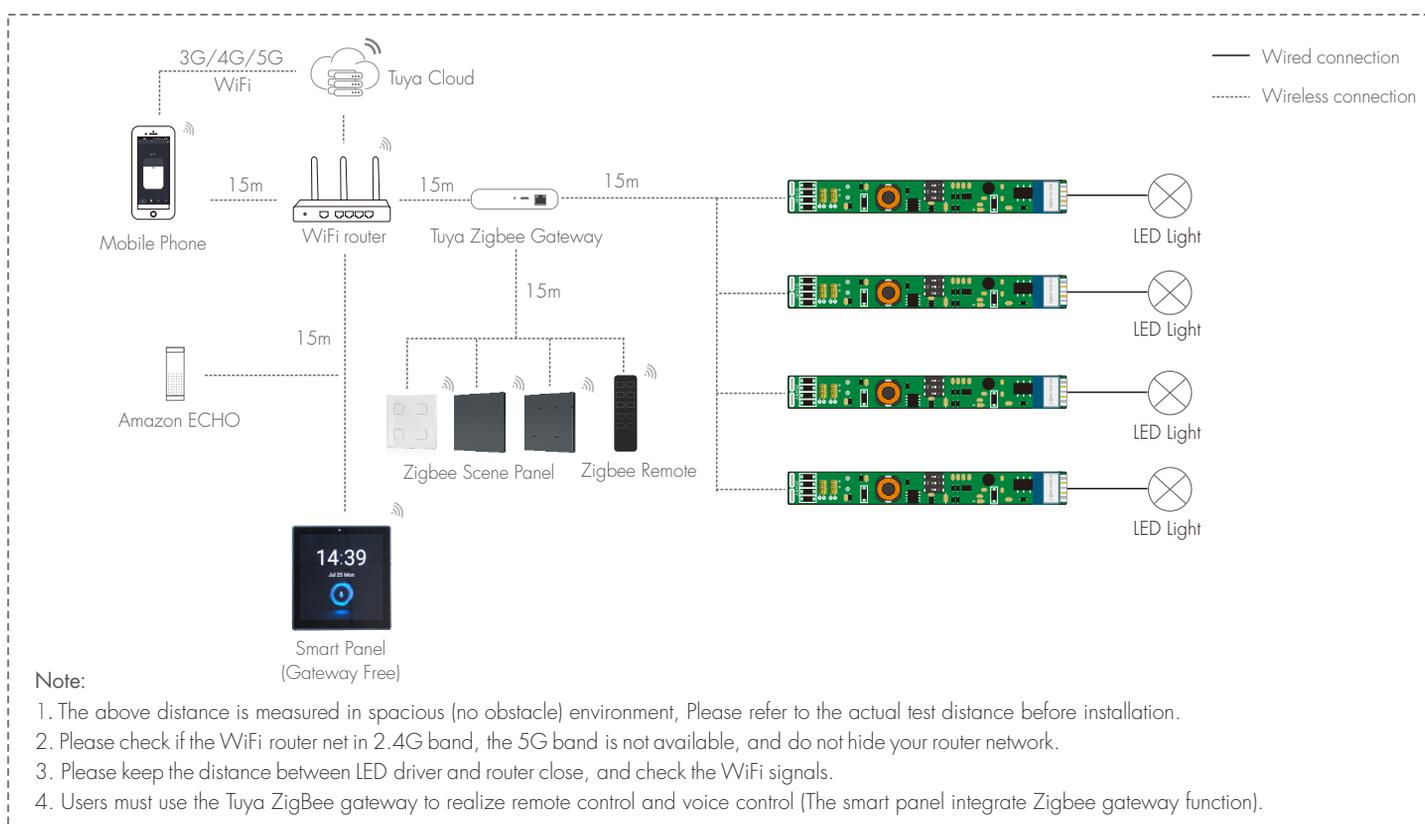
Mechanical Structures and Installations



Wiring Diagram



System wiring



App Operating Instructions

1. Network pairing

- Download the Tuya APP and register an account, search and add the Tuya Zigbee gateway device.
- Quickly press the "RESET" button five times or repeat power on and off five times to clear the previous network connection, enter pairing mode with the output light breathes blinking.
- Under the gateway, search and add new device. If the network connection is successful, you can find ZBS-DIM devices in Tuya APP.

2. Lighting control settings

After pairing the light device, click the device and change brightness by touch brightness slide.

In "Scene", there are 4 scene can be recalled or customized.

In "Setting", there are Plan, Schedule, Timer, Rhythms, Power-on behavior functions.

