

## RGB+CCT LED Garden Light (Subordinate Lamp)

Model No.: SYS-RC1 / SYS-RC2

This product has to be connected to "SYS-T1 Controller" to fulfill the remote controlling.

### Features

The housing of this product is made of die-cast aluminum, and the lens is made of transparent PC; no astigmatism, no shadow, elegant and delicate. We use silicone rubber to seal the light to assure the super waterproofness, waterproof rating is IP66. Connecting with host controller(SYS-T1), you can wireless control the 16million color changing, color temperature, brightness and saturation. Create a beautiful lighting environment for you. Widely used on landscape lighting including flowers, trees and lawn, etc.



RGB+CCT  
16 Millions of colors to choose



Dim brightness/  
Saturation



Color temperature  
2700K~6500K



Waterproof and dustproof  
grade IP66



Beam Angle 15°, Illumination  
distance Greater than 10m

### Parameters

Model No.: SYS-RC1

Input Voltage: DC24V

Power: 9W

Working Temperature: -20~45°C

Color temperature: 2700K~6500K

Luminous Flux: 900LM

Light Efficiency: 100LM/W

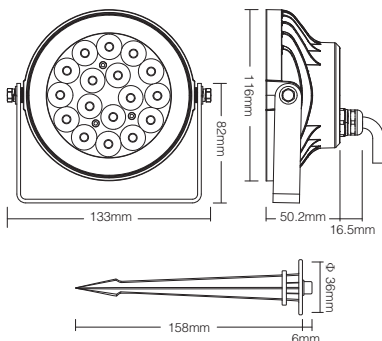
CRI: >80

Lifespan: 50000h

Illumination distance: >10m

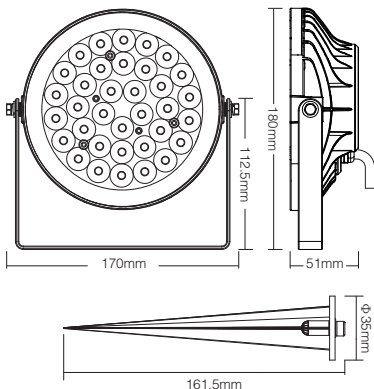
Beam Angle: 15°

IP Rate: IP66



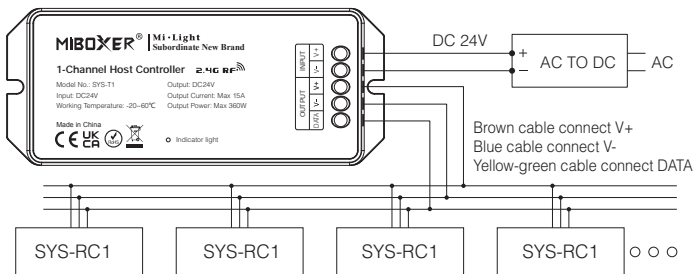
# Parameters

Model No.: SYS-RC2  
Input Voltage: DC24V  
Power: 15W  
Working Temperature: -20~45°C  
Color temperature: 2700K~6500K  
Luminous Flux: 1500LM  
Light Efficiency: 100LM/W  
CRI: >80  
Lifespan: 50000h  
Illumination distance: >10m  
Beam Angle: 15°  
IP Rate: IP66



## Connection Diagram

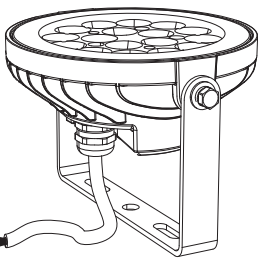
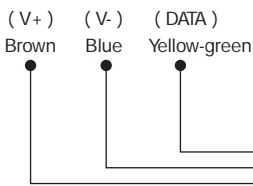
**Note:** The "SYS-T1 Controller" has to be purchased separately.



**Note:** When using "SYS-T1 controller", you need to add "SYS-T2 1-channel signal amplifier" for below 3 situations.

1. Connecting over 50pcs lights.
2. Connected cable length over 300m.
3. Output power over 360W.

### Input: DC24V



## Attention

1. Please check whether the input voltage is in accordance with the lighting working voltage, and please check the connection of both the cathode and anode.
2. The working Voltage is DC24V, the lighting will be damage if the voltage is higher than 24V.
3. Non-professional user cannot dismantle the controller directly, Otherwise it may damage the light.



Made in China