

MINI LED Remote (Multi-zone)



The MINI series LED remotes use RF 2.4GHz wireless transmission technology and the control distance (under no interference) can be up to 30 meters.

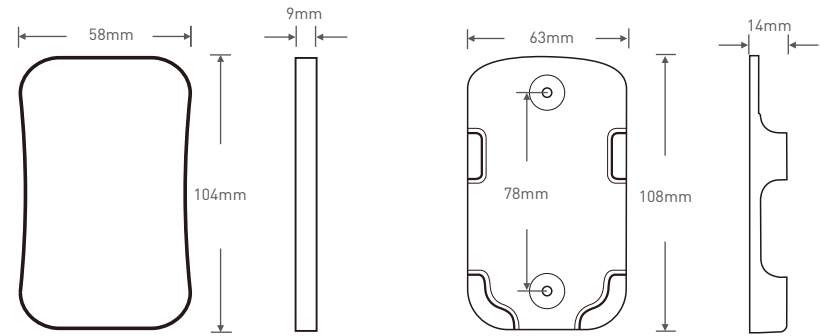
Connect to a P5 controller with 5 channel outputs which supports DIM/CT/RGB/RGBW/RGBCW light. One remote can control a large amount of controllers within the effective range to achieve different functions, such as turning lights on/off, adjusting brightness, CT, static RGB color, effects of dynamic modes, and recalling scenes, which meet the needs of users for different lighting applications.

Zone control is supported and one remote can control multiple zones. Multiple controllers can be paired with one zone to achieve group control in this zone. A single press on ON/OFF button allows you to turn on/off all zone lights at the same time.

Technical parameters

Model	M1C	M1D	M2C	M2D	M4C	M4D	M5C	M5D
Color	White	Black	White	Black	White	Black	White	Black
Dimming mode	DIM		CT		RGBW		RGBCW	
Wireless protocol	RF 2.4GHz							
Working voltage	3Vdc(Button battery CR2032*1)							
Standby current	<2uA							
Distance of remote	30M (Under no interference)							
Working temp.	-30°C~55°C							
Weight	40g±10g							
Dimensions	104×58×9mm (Remote), 108×63×14mm (Remote + Holder)							

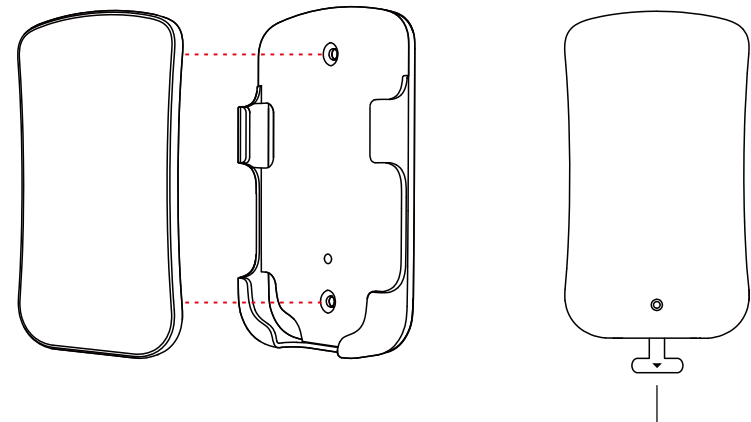
Dimensions



Remote

Remote holder

Product installation



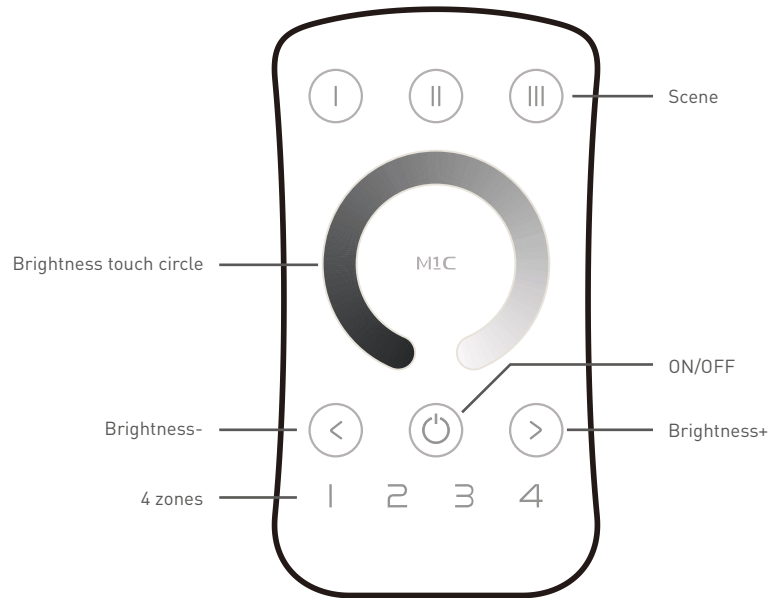
Two ways to fix the remote holder:

1. Fix the remote holder in the wall with two screws.
2. Fix the remote holder in the wall with a 3M adhesive.

Note: Please pull out the battery tab before first use

Button functions

- Dimming remote M1C/M1D



ON/OFF: Turn on /off all lights.

Zone 1, 2, 3, 4: Short press to turn on /off the light of the currently selected zone.

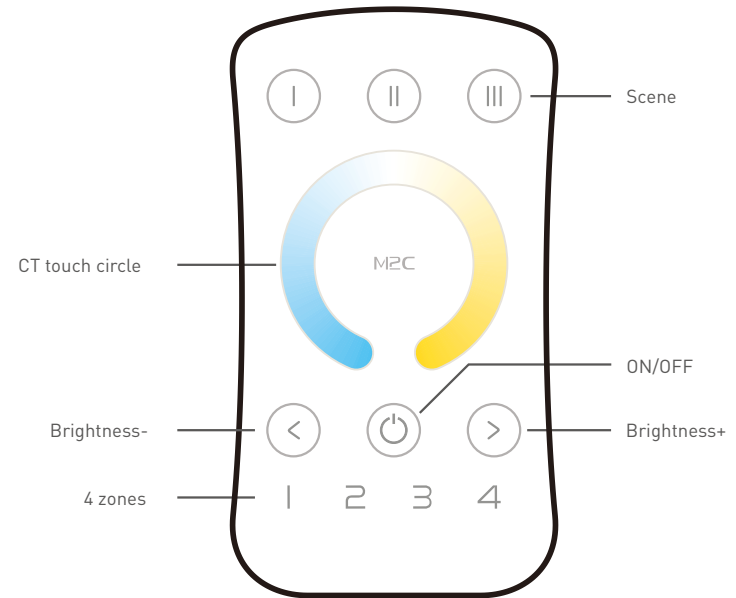
Press multiple zone buttons quickly and continuously to select multiple zones for simultaneous control.

Brightness touch circle : Move the circle to change the brightness of the light of the currently selected zone.

Brightness+/-: Short press to adjust the brightness level of the light of the currently selected zone and 10 brightness levels are provided; Long press to change the brightness continuously.

Scene: Short press to turn on scene; Long press for 3s to save the lighting status of the currently selected zone to the scene.

- CT remote M2C/M2D



ON/OFF: Turn on /off all lights.

Zone 1, 2, 3, 4: Short press to turn on /off the light of the currently selected zone.

Press multiple zone buttons quickly and continuously to select multiple zones for simultaneous control.

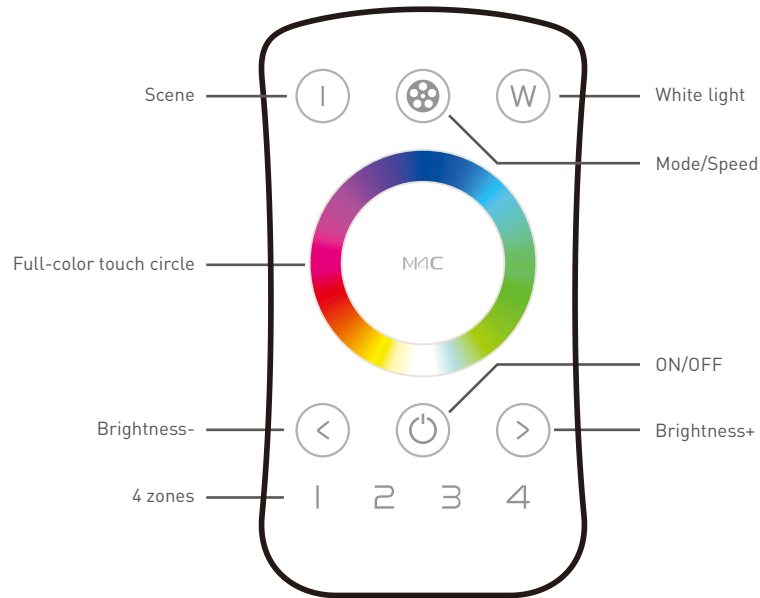
CT touch circle: Move the circle to change the CT of the selected zone light.

Brightness+/-: Short press to adjust the brightness level of the light of the currently selected zone and 10 brightness levels are provided; Long press to change the brightness continuously.

Scene: Short press to turn on scene; Long press for 3s to save the lighting status of the currently selected zone to the scene.

Button functions

• RGBW remote M4C/M4D



ON/OFF: Turn on /off all lights.

Zone 1, 2, ,3, 4: Short press to turn on /off the light of the currently selected zone; Press multiple zone buttons quickly and continuously to select multiple zones for simultaneous control.

Full-color touch circle: Move the RGB color touch circle to select a color.

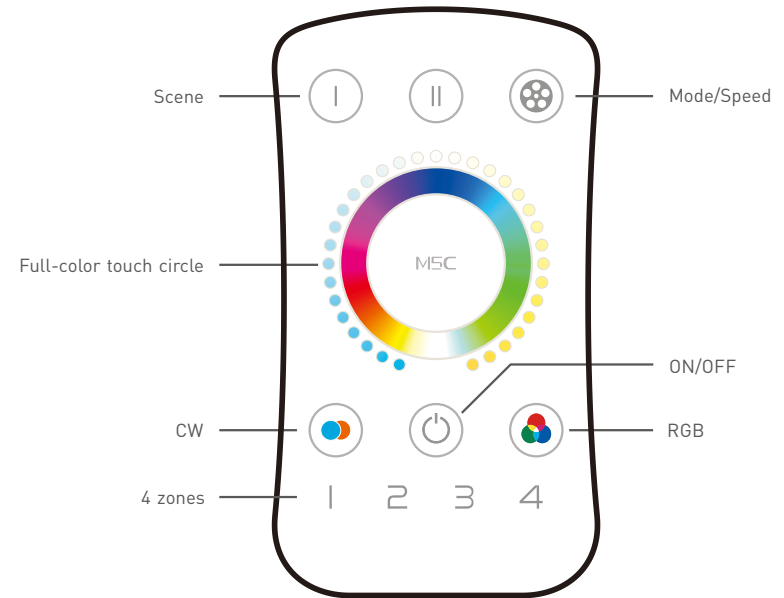
Mode/Speed: Short press to switch dynamic mode; Long press to adjust speed; Short press the Zone 1 and Zone 4 button simultaneously to loop playing the dynamic modes.

Brightness+/-: Short press to adjust the brightness level of RGB of the currently selected zone and 10 brightness levels are provided; Long press to change the brightness continuously.

White light: For the RGBW light, short press to turn on or off the W light channel; Long press to adjust the brightness of the W light.

Scene: Short press to turn on scene; Long press for 3s to save the lighting status of the currently selected zone to the scene.

• RGBCW remote M5C/M5D



ON/OFF: Turn on /off all lights.

Zone 1, 2, ,3, 4: Short press to turn on /off the light of the currently selected zone; Press multiple zone buttons quickly and continuously to select multiple zones for simultaneous control.

Full-color touch circle: Move the CW/RGB color touch circle to select a color.

Mode/Speed: Short press to switch dynamic mode; Long press to adjust speed; Short press the Zone 1 and Zone 4 button simultaneously to loop playing the dynamic modes.

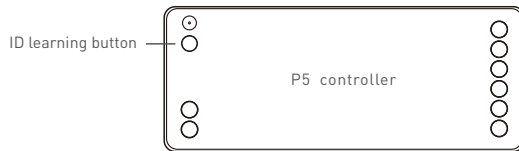
CW: Short press to turn on/off the CW channel and at that time the full-color touch circle turns into the CW touch circle; Long press to adjust the brightness of current CW.

RGB: Short press to turn on/off the RGB channel and at that time the full-color touch circle turns into the RGB color touch circle; Long press to adjust the brightness of the current color.

Scene: Short press to turn on scene; Long press for 3s to save the lighting status of the currently selected zone to the scene.

Pair the remote with the controller

Two methods available for users to pair/unpair the controller.



Method 1: Pair/unpair the controller using the button

Pair the controller:

1. Short press the ID learning button on the controller and the load light flashes;
2. Press any zone button on the remote within 15 s until the load light flashes and then stays on, which means pairing is successfully done.

Unpair the controller:

Press the ID learning button on the controller for 10s. The load light flashes 5 time which means all paired controllers have been removed from the remote.

Method 2: Pair/unpair the controller by powering it on

Pair the controller:

1. Power off the controller;
2. After powering on the controller again, press any zone button on the remote within 3 s until the load light flashes and then stays on, which means pairing is successfully done.

Unpair the controller:

Power on and off the controller for 10 consecutive times. The load light flashes 5 times which means all paired controllers have been removed from the remote.

Indicator light status

- When the light turns on, the touch circle and the remote indicator light will be red.
- If there is no touch on the circle or no press on a button, the touch circle will enter the sleep state in 30s. You need to press any button to exit the sleep state.

Note: When you press the button and the LED light doesn't light up, it is because the battery is out of power. Please replace the battery in time.

Transportation and Storage

1. Transportation

Products can be shipped via vehicles, boats and planes.

During transportation, products should be protected from rain and sun. Please avoid severe shock and vibration during the loading and unloading process.

2. Storage

The storage conditions should comply with the Class I Environmental Standards. The products that have been stored for more than six months are recommended to be re-inspected and can be used only after they have been qualified.

Attentions

- Please use in a dry indoor environment;
- When installing the battery, please connect the positive and negative terminal correctly. If the remote will not be used for a long period, take the battery out;
- When the remote distance is shorten and or the remote doesn't work frequently, please change the battery in time;
- Please carefully take it and put it down to prevent falls that cause damage;
- If a fault occurs, please do not attempt to fix products by yourself. If you have any question, please contact your suppliers.

* This manual is subject to changes without further notice. Product functions depend on the goods. Please feel free to contact our official distributors if you have any question.

Warranty Agreement

- Warranty periods from the date of delivery: 5 years.
- Free repair or replacement services for quality problems are provided within warranty periods.

Warranty exclusions below:

Following conditions are not within the guarantee range of free repairing or replacement services:

- Beyond warranty periods;
- Any artificial damage caused by high voltage, overload, or improper operations;
- Products with severe physical damage;
- Damage caused by natural disasters and force majeure;
- Warranty labels and barcodes have been damaged.
- No any contract signed by LTECH.

1. Repair or replacement provided is the only remedy for customers. LTECH is not liable for any incidental or consequential damage unless it is within the law.

2. LTECH has the right to amend or adjust the terms of this warranty, and release in written form shall prevail.