

PX0408



Summary

Welcome to the PX series DMX512/ RDM decoding drive. The PX series adopts advanced microcomputer control technology, and converts the widely adopted DMX-512/1990 and RDM/2009 standard digital control signals into analog control signals. 1-4 output channels can be selected, and 256-level control levels can be implemented for each channel. The invention can be used for the connection of the computer digital output light-adjusting table and the analog silicon box, and the use occasions of the control of the LED lamp for the building and the lamp decoration.

1. The product has 4 channels output. The maximum 8A current per channel and the total power up to 768W.
2. Set the address with the dial switch, and the operation is simple and quick.
3. Euro terminal blocks and RJ45 two DMX interfaces are provided to improve signal transmission efficiency and anti-interference capability.
4. With the RDM remote management protocol, the RDM master can browse and set the parameters, the DMX address modification, the device identification and other operations through the RDM master control.
5. It has the functions of short-circuit, over-temperature, overload automatic protection and recovery.
6. Fast self-test function.

Product Features

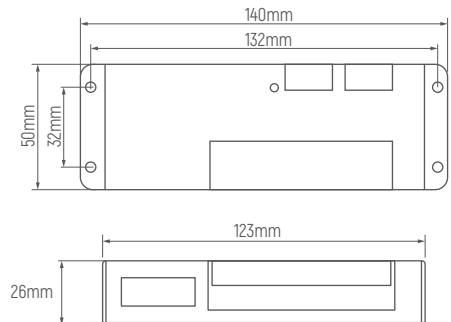
- Meets DMX512/1990,RDM /2009 protocol
- Supported RDM parameters:
 DISC_UNIQUE_BRANCH
 DISC_MUTE
 DISC_UN_MUTE
 DEVICE_INFO
 SOFTWARE_VERSION_LABEL
 DMX512/RDM_START_ADDRESS
 IDENTIFY_DEVICE
 MANUFACTURER_LABEL
 SUPPORTED_PARAMETERS

In DMX mode set the DMX address manually by switch; in RDM mode, the host computer address allocation

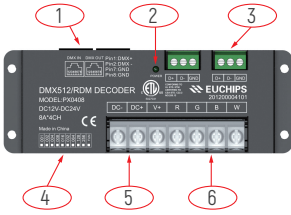
Technical Parameter

Product model:	PX0408
Input signal:	DMX512/ RDM
DMX interface:	RJ45, green terminal
Input voltage:	12-24VDC
Output:	8 A *4 CH.
Output power:	384W (12V)MAX / 768W (24V)MAX
Working temperature:	-20-50 C
product size :	140*50*26mm(L*W*H)
packing measurement :	145*56*32mm(L*W*H)
Weight (net weight) :	240g

Dimension(mm)



Interface Description



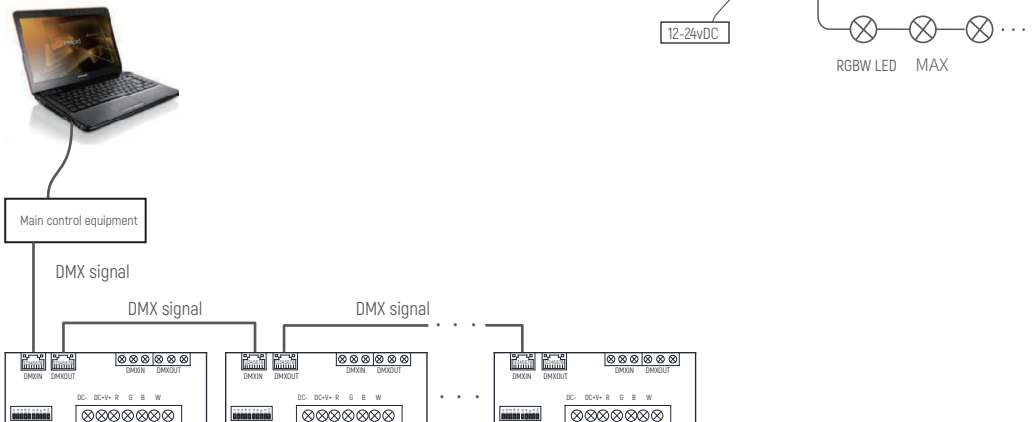
- (1) RJ45 Signal input and output interfaces
- (2) Signal light (The normal signal indicator is green flashing, but if the signal is abnormal, the indicator light is not on.)
- (3) Euro terminal blocks
- (4) Address setting interface
- (5) Power input interface
- (6) Output interface

DIP Switch Setting

	DIP1	DIP2	DIP3	DIP4	DIP5	DIP6	DIP7	DIP8	DIP9	DIP10
OFF	0	0	0	0	0	0	0	0	0	NA
ON	1	2	4	8	16	32	64	128	256	FUN

DIP1-9: sets the address of the first channel of DMX decoder, and the corresponding table of dialing switch shows that the sum of numbers is the first channel address of DMX decoder. The valid address in DMX mode is $1 \leq 511$, (address 511 is self-test mode, output RGBW gradient). When the address is set to 0, the default is RDM mode.
 DIP10: FUN represents the end resistance of 120 ohms.

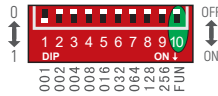
Connection diagram



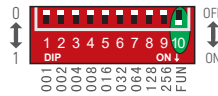
The Setting Of The Dmx First Address:



RDM mode: when the code extraction switch 110 is fully turned upward.

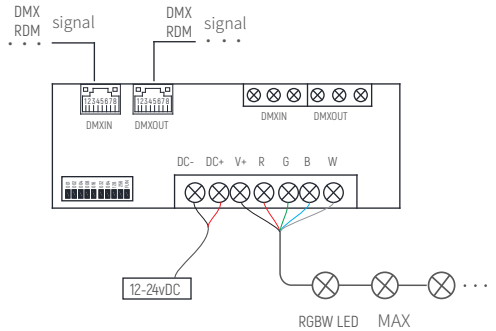


DMX mode: FUN = OFF (when the 10th pull-out switch is up), The DMX address can now be set by the 1-9 dial switch

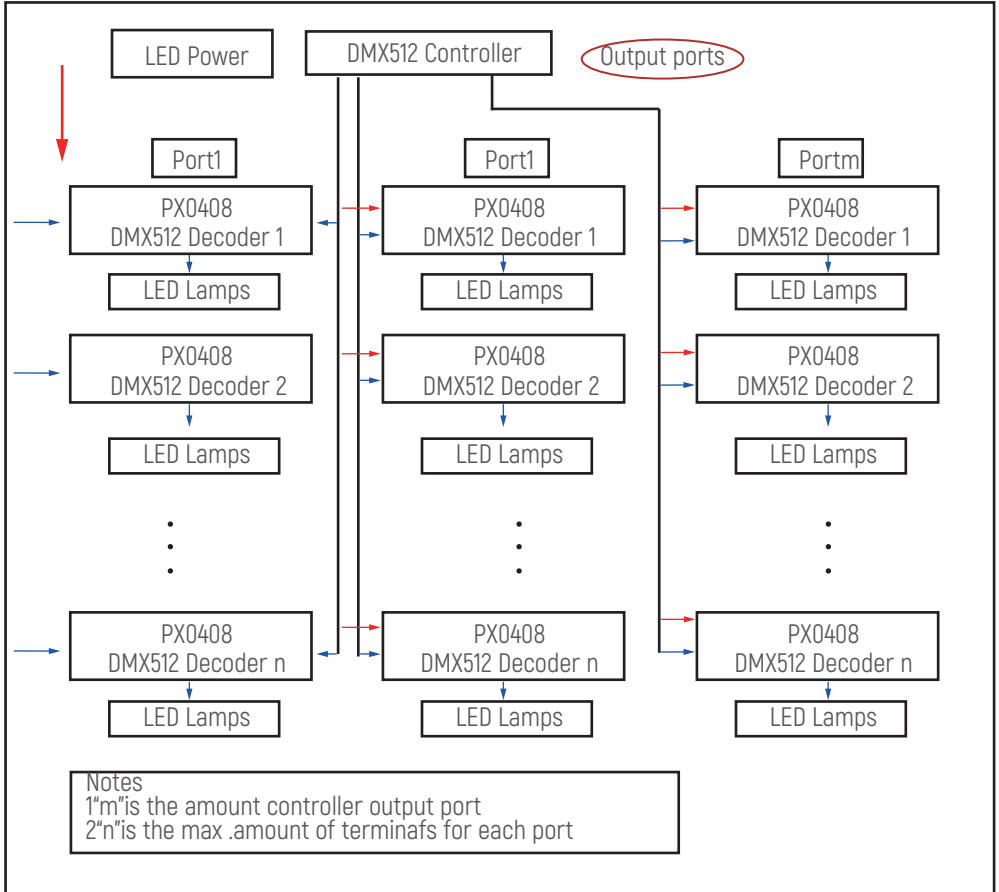


Self-test mode: FUN = OFF (address 511 is self-test mode, output RGBW gradient)

System connection diagram



Hookup



- (1)The DMX512/ RDM is directly connected, and the DMX512/ RDM signal has positive and negative signals. Pay attention to the polarity when wiring. A positive signal, a negative signal, and a ground signal are connected to an interface corresponding to the device
- (2)Refer to "DMX series address dial code table" to set DMX address by dial code switch.
- (3) The tail of the whole wiring needs to be connected to the signal Terminator at the end of the connection.

PX0408



概述

欢迎使用PX系列DMX512/RDM解码驱动器。PX系列采用先进的微电脑控制技术,把国际上广泛采用的DMX-512/1990, RDM/2009标准数码控制信号转换成模拟控制信号。可选择1-4路输出通道,每通道可实现256级控制级别。可用于电脑数码输出调光台与模拟硅箱的连接,建筑和灯饰用LED灯具的控制的使用场合。

- 1、本产品共有4个通道输出,每通道最大8A电流,总功率可高达768W。
- 2、使用拨码开关设置地址,操作简单快捷。
- 3、提供绿色端子和RJ45两种DMX接口,提高信号传输效率和抗干扰能力。
- 4、具有RDM远程管理协议,通过RDM主控可对其进行参数浏览与设置、DMX地址修改、设备识别等操作。
- 5、具有短路、过温、过载自动保护与恢复功能。
- 6、快速自测功能。

产品特点

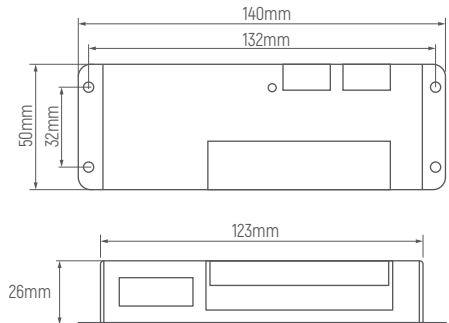
- 符合DMX512/1990,RDM/2009国际标准协议
- 支持RDM参数:
 - DISC_UNIQUE_BRANCH
 - DISC_MUTE
 - DISC_UN_MUTE
 - DEVICE_INFO
 - SOFTWARE_VERSION_LABEL
 - DMX512/RDM_START_ADDRESS
 - IDENTIFY_DEVICE
 - MANUFACTURER_LABEL
 - SUPPORTED_PARAMETERS

在DMX模式下通过拨码开关手动设置DMX地址;在RDM模式下,上位机分配地址
·256等级亮度调节

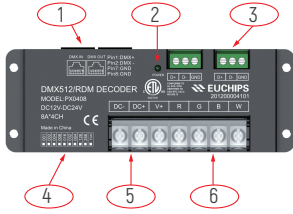
技术参数

- 产品型号: PX0408
- 输入信号: DMX512/RDM
- DMX接口: RJ45、绿色端子
- 输入电压: 12-24VDC
- 负载电流: 8A*4CH
- 输出功率: 384W(12V)MAX / 768W(24V)MAX
- 工作温度: -20~50°C
- 产品尺寸: 140*50*26mm(长*宽*高)
- 包装尺寸: 145*56*32mm(长*款*高)
- 重量(毛重): 240g

产品尺寸(mm)



接口说明



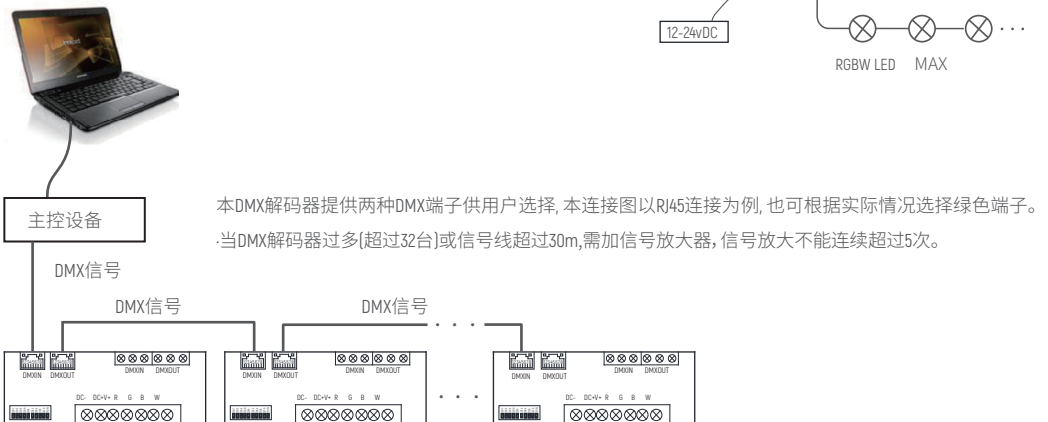
- (1) RJ45 信号输入和输出接口
- (2) 信号指示灯(绿色闪烁为正常, 异常情况则指示灯不亮)
- (3) 绿色端子 信号输入和输出
- (4) 拨码开关
- (5) 电源输入接口
- (6) 输出接口

拨码开关配置

	DIP1	DIP2	DIP3	DIP4	DIP5	DIP6	DIP7	DIP8	DIP9	DIP10
OFF	0	0	0	0	0	0	0	0	0	NA
ON	1	2	4	8	16	32	64	128	256	FUN

DIP1-9: 设置DMX解码器的第一个通道的地址, 拨码开关对应表格显示数字总和就是DMX解码器的第一通道地址。DMX模式下的有效地址为1-511, [地址511为自检模式, 输出RGBW渐变]。
 当地址设置为0时, 默认为RDM模式。
 DIP10: FUN代表是120欧姆的终结电阻。

系统连接图

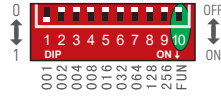


本DMX解码器提供两种DMX端子供用户选择, 本连接图以RJ45连接为例, 也可根据实际情况选择绿色端子。
 当DMX解码器过多(超过32台)或信号线超过30m, 需加信号放大器, 信号放大不能连续超过5次。

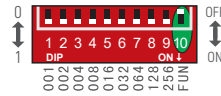
DMX首地址的设置:



RDM模式: 拨码开关1-10全部拨向上时



DMX模式: FUN=OFF (第10位拨码开关拨向上时), 此时可通过1-9拨码开关设置DMX地址



自测模式: FUN=OFF(地址511为自检模式, 输出RGBW渐变)

连接示意图

