

DIM119

Product Feature

- Single channel constant voltage output
- Support 3-in-1 dimming mode(1-10V active signal, adjustable resistance, PWM)
- Dimming range from 0.1-100%
- 100% output when no dimming signal input
- PWM digital dimming, no alter LED color rendering index
- Suitable for indoor LED lighting application
- Compatible with various of interfaces of the branded lighting control systems



Application



Wall Washer



LED Strip Light



LED Tube



Underground Light

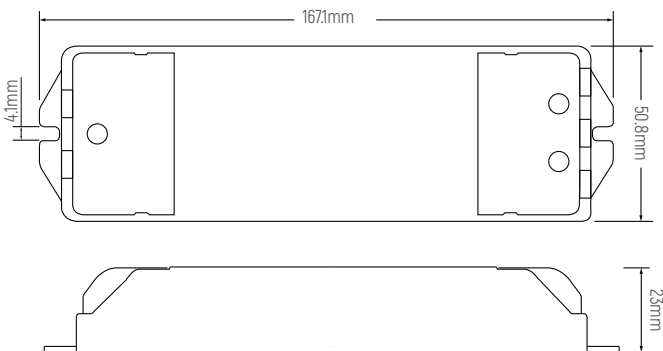


AR111 Venture Light

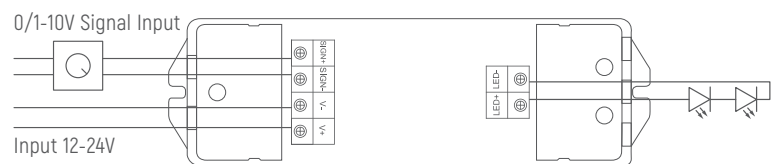
Technical Parameters

Model	DIM119	
Output	Voltage	12-24V
	Current	15A
	Power	180-360W
	Channel	1
Input	Voltage	12-24VDC
	Function	Dimming mode: 0/1-10V active signal, adjustable resistance, PWM Consumption current: 0.25mA
Protection	Short circuit	The indicator light is on, recovers automatically after fault removed
	Over load	The indicator light is on, recovers automatically after fault removed
	Over temperature	Shut down the output, recovers automatically when temp. back to normal.
Others	Dimension	167*51*23 mm (L*W*H)
	G.W	130g
	Working temp.	-30~55 C
	Relative humidity	20~90% RH

Dimension(mm)



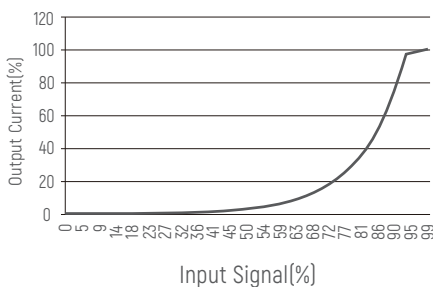
Wiring Diagram



Remark:

1V-10VDC active and passive dim signal input can get 0.1%-100% brightness output and the dimming curved path is proportional to the dim signal. If you need to shut down the lamp brightness, please adjust the analog signal voltage to below 0.7V.

Dimming Curve



※ The contents of this manual are updated without prior notice. If the function of the product you are using is inconsistent with the instructions, the function of the product shall prevail. Please contact us if you have any questions.

DIM119

产品特点

- 单通道恒压输出
- 支持三合一调光（1-10V有源信号/可调电阻/PWM信号）
- 调光范围0.1-100%
- 信号悬空时，满载输出
- PWM数字调光，不改变显色指数
- 适用于室内LED灯具
- 兼容各大品牌照明调光系统接口



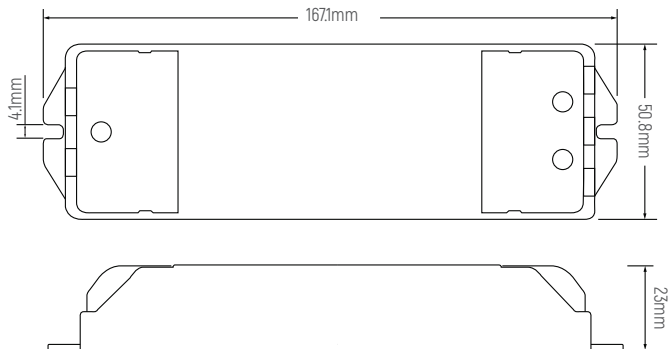
应用



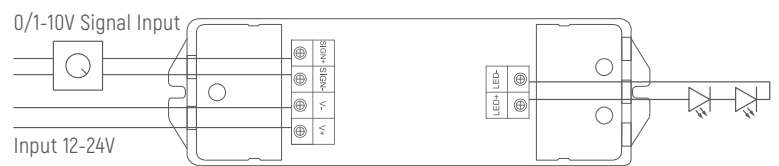
技术参数

型号	DIM119	
输出	电压	12-24V
	电流	15A
	功率	180-360W
	通道	1
输入	电压	12-24VDC
	调光方式	0/1-10V有源信号/可调电阻/PWM信号
功能	信号端消耗电流	0.25mA
	短路	红色指示灯亮, 移除故障后自恢复
	过流	红色指示灯亮, 移除故障后自恢复
保护	过温	关闭输出, 温度恢复正常后, 自动开启输出
	尺寸	167*51*23 mm (L*W*H)
其他	毛重	130g
	工作温度	-30~55°C
	相对湿度	20~90% RH

尺寸图(mm)



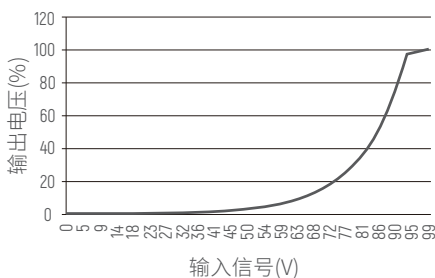
接线图



备注:

本控制器1V~10VDC有源/无源调光信号对应0.1%~100%亮度输出，调光曲线平滑度。如果需要将灯具亮度调灭，请将模拟信号电压调至0.7V以下。

调光曲线



※ 本说明书内容如有更新，恕不另行通知。若您使用的产品功能与说明书不一致时，请以产品为准。如有疑问请与我们联系。