

DIN-121 DIN Rail DMX Signal Amplifier



DIN-121 is dedicated to amplify, distribute, and insulate the signal that comes from the lighting system equipment when it is connected to the bus of DMX512 (or RS-485), 1CH input, 2CH output.

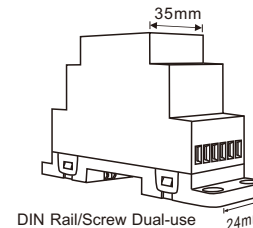
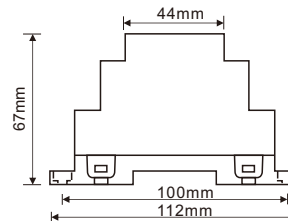
1. It's specially designed for signal shaping amplification for DMX512 (485) signal which attenuated after a long-distance transmission, realize extending the signal transmission distance.
2. Need to use the multiple signals expansion output control, increase DMX (485) signal amplifier to distribute multi-channel control.
3. 1 channel input, 2 channels distributed output, there is photoelectricity insulation between input and output terminals, so as to avoid the expensive equipment such as light, 485 communications equipment, DMX driver, precise digital lighting controller, being burnt by the possible high voltage which caused from the wrong wire connection and a broken equipment, also can avoid the signal interference between each DMX equipment, to assure it works safely.

1. Product Parameter:

DIN-121

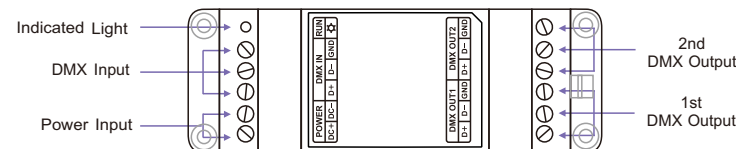
- Input Voltage: 12-24Vdc
- Photoelectricity Insulation Voltage: 1KV
- Working Temperature: -30°C~55°C
- Dimension: L112×W35×H67mm
- Package Size: L114×W37×H70mm
- Weight(G.W.): 110g

2. Product Size:

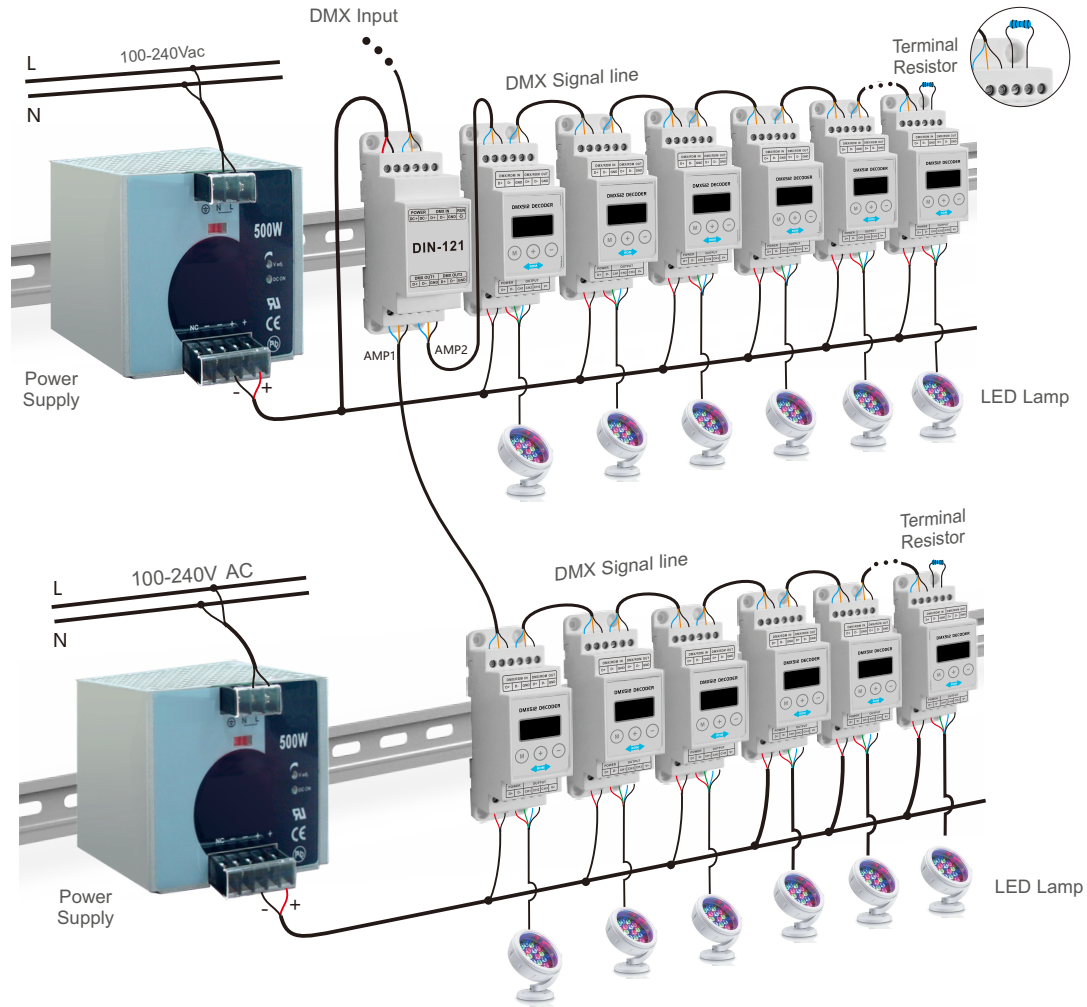


DIN Rail Mounting Size:
TS-35/7.5 or TS-35/15

3. Configuration Diagram:



4. Wiring Diagram:



- * An amplifier is needed when more than 32 decoders are connected, signal amplification should not be more than 5 times continuously.
- * If the recoil effect occurs because of longer signal line or bad line quality , please try to connect 0.25W 90-120Ω terminal resistor at the end of each line.