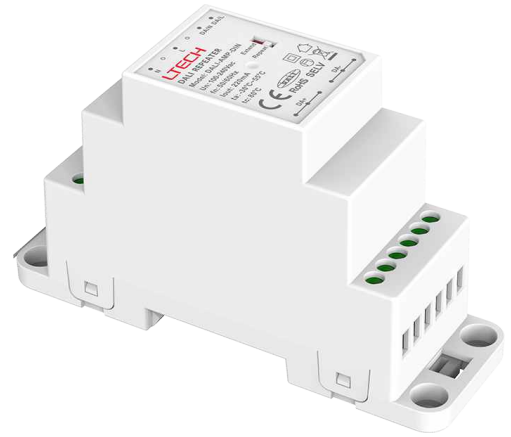


DALI Repeater

DALI-AMP-DIN repeater allows to amplify the DALI signal (relay mode) and to extend DALI fixtures (extended mode). You can set the relay or extended mode via DIP switches. The output with load capacity serves as DALI Bus Power Supply, which effectively solves the difficulties of connecting to multiple fixtures and extending the signal transmission distance.

The relay mode is mainly used for amplifying the weak DALI signal and reducing signal distortion in long-distance transmission due to line loss and environmental interferences. The repeater can extend the maximum DALI line length from 300 m to 600 m.

The extended mode enables the output to connect up to 64 fixtures. With a DALI repeater, the output fixtures can be dimmed in sync with buttons and ensure the consistency of lighting changes.



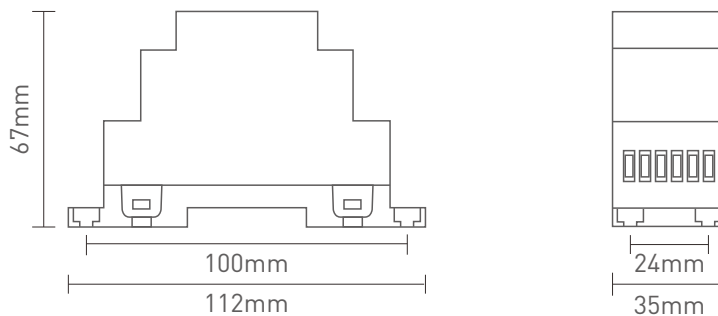
FC CE RoHS (5-Year Warranty)

Technical Specs

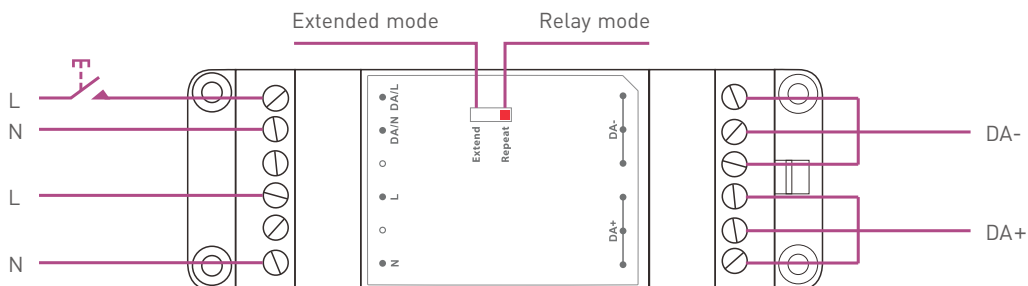
Input signal : DALI DT6/DT8, Push DIM (Extended mode only)
 Input voltage : 100-240Vac
 Rated DALI input current : <2mA
 Output signal : DALI DT6/DT8
 Rated DALI output current : Max. 220mA
 Output mode : Extended mode, Relay mode

Protection : Short circuit, Overheat
 Working temperature : -20°C~55°C
 Mounting : Din rail or Screw
 Dimensions(L×W×H) : 112×35×67(mm)
 Package size(L×W×H) : 114×37×70(mm)
 Weight(G.W.) : 130g

Dimensions



Terminal Instructions

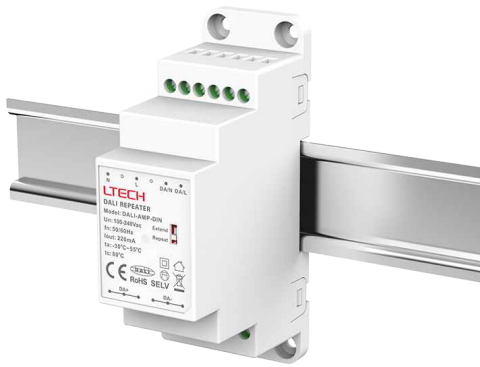


Push DIM (For extended mode only)
 0-100% dimming range. Short press to turn on /off, long press to dim

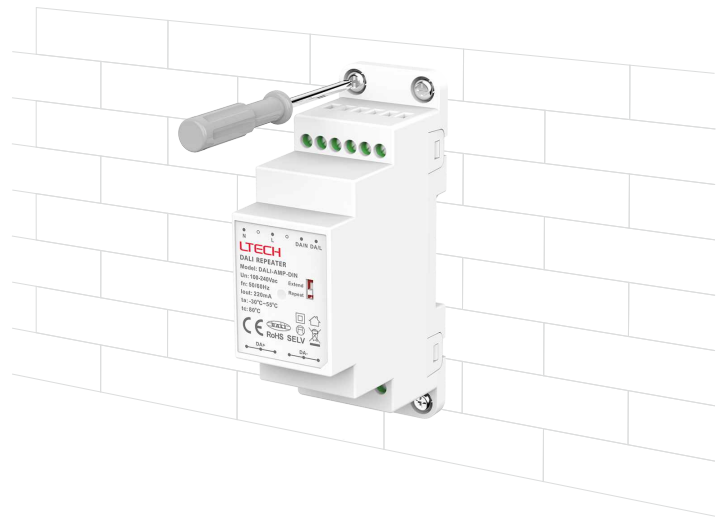
Installation Diagram

Method 1: Din-rail mounting

Din rail specifications: TS-35/7.5 or TS-35/15



Method 2: Screw fixing

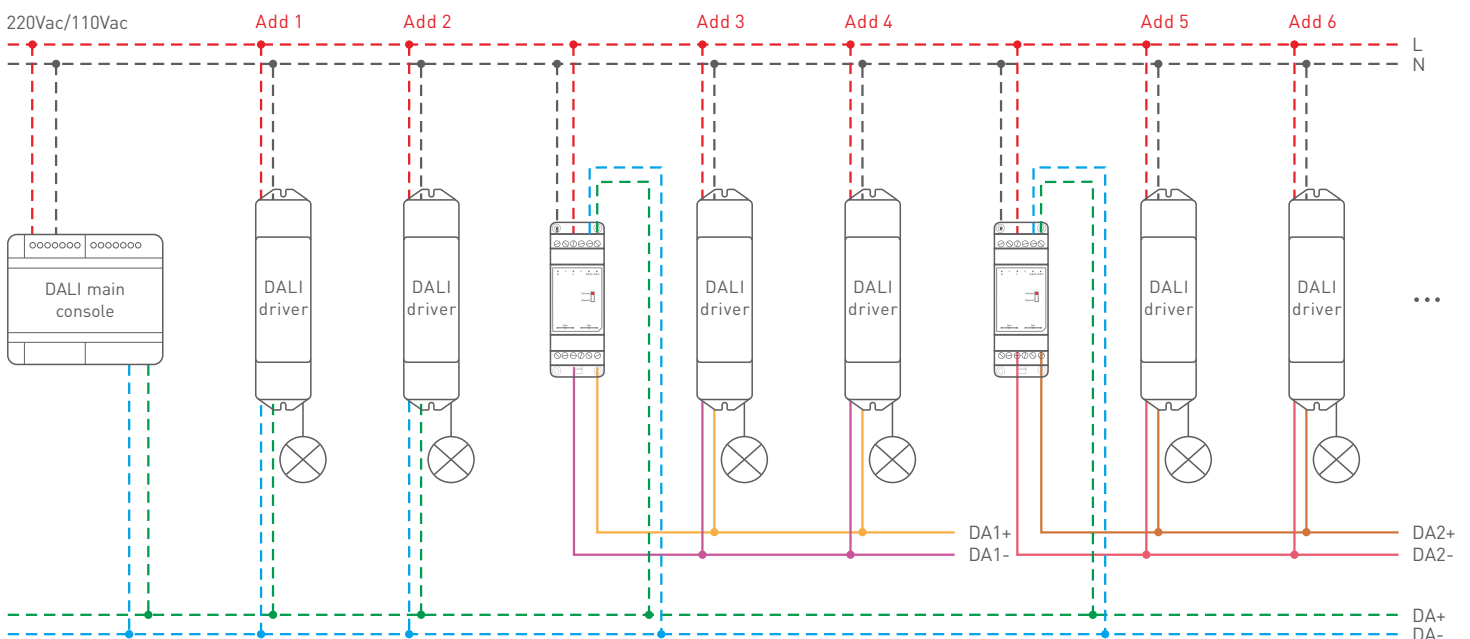


Attentions

- Products shall be installed by qualified professionals.
- LTECH products are non-waterproof (special models excepted). Please avoid the sun and rain. When installed outdoors, please ensure it is mounted in a water proof enclosure.
- Good heat dissipation will extend the working life of products. Please ensure good ventilation.
- Please check if the working voltage used complies with the parameter requirements of products.
- The diameter of wire used must be able to load the light fixtures you connect and ensure the firm wiring.
- Before you power on products, please make sure all the wiring is correct in case of incorrect connection that causes damage to light fixtures.
- If a fault occurs, please do not attempt to fix products by yourself. If you have any question, please contact your suppliers.

Mode Settings-Relay mode (For DALI connection mode only)

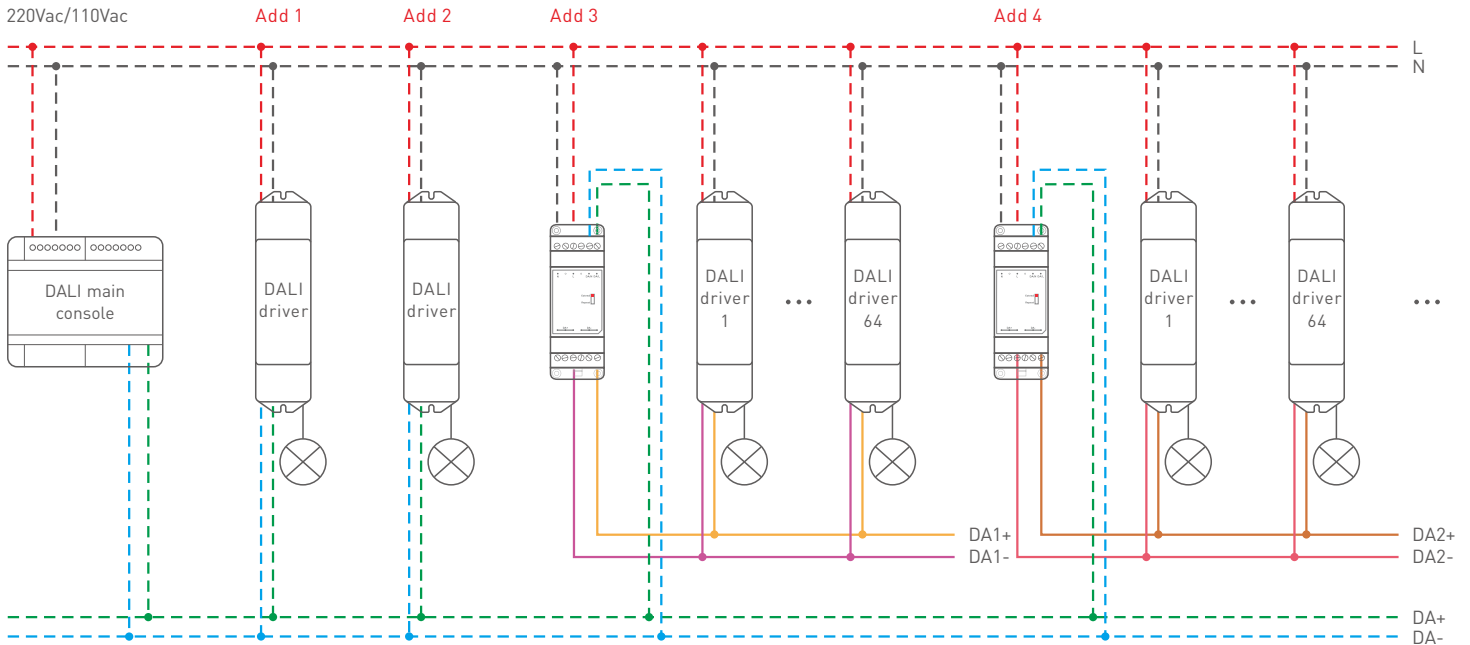
Please set the dip switch of relay mode to ON. When the distance between DALI main console and driver is too long, please enhance the signal by adding repeaters. In this mode, the first level classification is supported only and the DALI bus can connect up to 64 repeaters. The repeater can extend the maximum DALI line length from 300 m to 600 m.



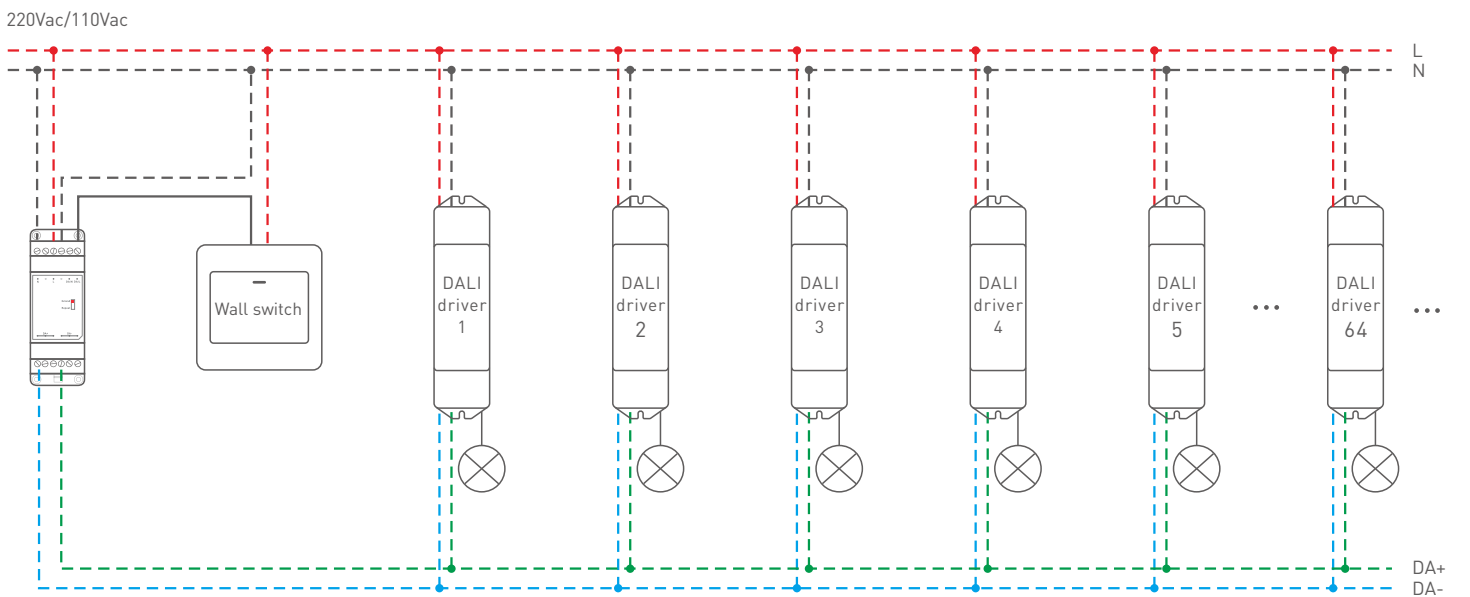
Mode Settings-Extended mode

Please set the dip switch of extended mode to ON. In this mode, one address is occupied by a repeater and the address space of DALI bus allows up to 64 repeaters. With driver capability, each repeater can connect up to 64 light fixtures. Hence, the DALI bus can drive up to 64×64 light fixtures.

DALI connection mode



Push DIM connection mode



Short press: ON/OFF

Long press: Dimming; Every other long press, the brightness level is adjusted to the opposite direction.

Warranty Agreement

- Warranty periods from the date of delivery : 5years
- Free repair or replacement services for quality problems are provided within warranty periods.

Warranty exclusions below:

- Beyond warranty periods.
- Any artificial damage caused by high voltage, overload, or improper operations.
- Products with severe physical damage.
- Damage caused by natural disasters and force majeure.
- Warranty labels and barcodes have been damaged.
- No any contract signed by LTECH.

1.Repair or replacement provided is the only remedy for customers. LTECH is not liable for any incidental or consequential damage unless it is within the law.

2.LTECH has the right to amend or adjust the terms of this warranty, and release in written form shall prevail.

* This manual is subject to changes without further notice. Product functions depend on the goods. Please feel free to contact our official distributors if you have any question.

Update Log

Version	Update Time	Update Content	Update by
A0	2020.11.24	Original version	He Shaoyun
A1	2021.06.02	Changed input signal from " DALI, Push DIM (Extended mode only)" to" DALI DT6/DT8, Push DIM (Extended mode only)" ; Added the "Output signal, Output mode"Changed the page size; Added the installation diagram.	He Shaoyun
A2	2022.05.17	Added "The repeater can extend the maximum DALI line length from 300m to 600m" to the description of "Relay Mode" on P1 and P2.	Xu Shujun